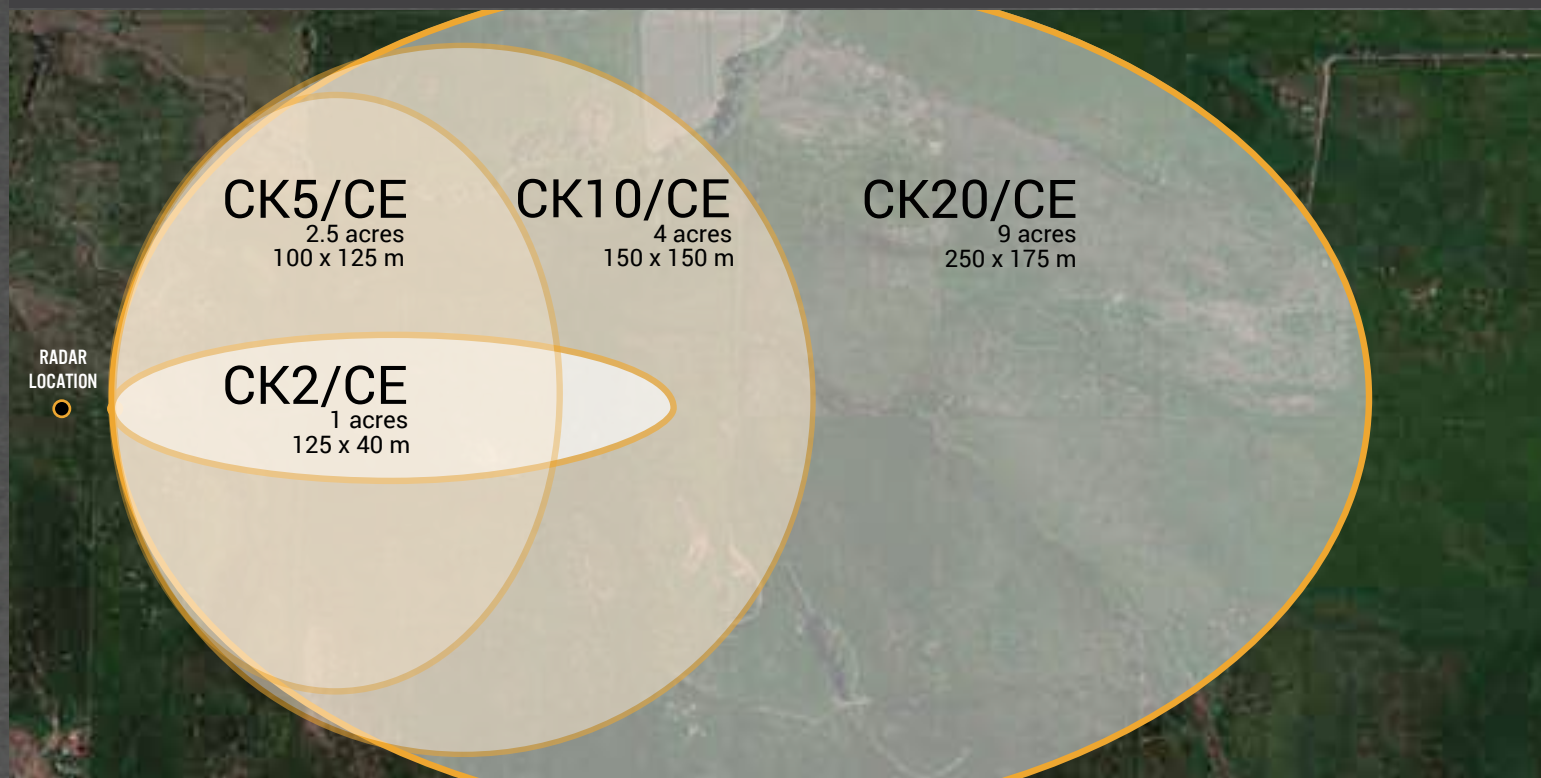


Ground & Over-Water Radar



GROUND RADAR COVERAGE COMPARISON



FOR MORE INFORMATION, CONTACT:
sales@spotterrf.com
801-742-5849
spotterrf.com

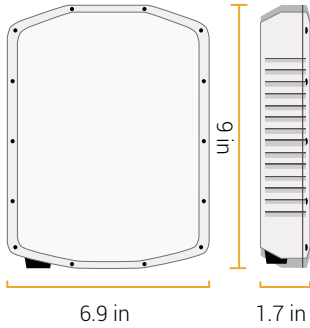
Protection Beyond Fences



Compact Surveillance Radar

1.5 POUNDS Dimensions
CK2
CK5
CK10
CK20

1.2 POUNDS Dimensions
CK2-CE
CK5-CE
CK10-CE
CK20-CE



General Specifications

SCAN RATE	Up to 8 times per second
UPDATE RATE	Up to 8 times per second
OUTPUT DATA	GPS coordinates, velocity, RCS, range, time angle, heading, accuracy, and duration
OUTPUT PROTOCOL (PLATFORM)	JSON, XML, KML, Google Earth, NetworkedIO
INTERFACE	Ethernet (Web UI or API)
PHYSICAL INTERFACE	Passive PoE through IP67 RJ45 connector, 10/100 Mbps
RUGGED/WATERPROOF	IP67/NEMA 6P compliant
SETUP TIME	Less than 10 minutes using Web UI

CE Compliant

	CLASS B*	RED**
CK2	YES	YES
CK5	PENDING	YES
CK10	YES	YES
CK20	YES	YES
UNLICENSED OPERATION (ALL)		
* CE Residential Compliance Standards		
** EU Radio Equipment Directive Compliance		

CK-Series	CK2/CE	CK5/CE	CK10/CE	CK20/CE
DETECTION RANGE	Walker: 5-125 m Vehicle: 5-175 m	Walker: 5-125 m Vehicle: 5-175 m	Walker: 5-150 m Vehicle: 5-200 m	Walker: 10-250m Vehicle: 10-400 m
COVERAGE AREA	125 m x 40 m = 1 acre	100 m x 125 m = 2.5 acre	150 m x 150 m = 4 acres	250 m x 175 m = 9 acres
EFFECTIVE FIELD OF VIEW	Horizontal: 40 degrees Vertical: 10 degrees	Horizontal: 100 degrees Vertical: 10 degrees	Horizontal: 90 degrees Vertical: 10 degrees	Horizontal: 90 degrees Vertical: 20 degrees
ANGULAR ACCURACY	+ -3 degrees	+ -3 degrees	+ -3 degrees	+ -3 degrees
RANGE RESOLUTION	1 meter	1 meter	1 meter	1.5 meter
SIMULTANEOUS TRACKS	10	10	20	20
SYSTEM POWER	6.5-9 W @ 12-30 VDC depending on duty cycle	7-8.5 W @ 12-30 VDC depending on duty cycle	6.5-9 W @ 12-30 VDC depending on duty cycle	5-9 W @ 12-30 VDC depending on duty cycle
TEMPERATURE RANGE	-30° C to 65° C -22° F to 149° F	-30° C to 65° C -22° F to 149° F	-30° C to 65° C -22° F to 149° F	-30° C to 65° C -22° F to 149° FF
FREQUENCY	24.0 to 24.25 GHz FCC & ETSI Unlicensed Band	24.0 to 24.25 GHz FCC & ETSI Unlicensed Band	24.0 to 24.25 GHz FCC & ETSI Unlicensed Band	24.0 to 24.25 GHz FCC & ETSI Unlicensed Band

Applications

Airports	Estates	Military	Prisons	Substations
Borders	Events	Mines	Railways	UAV Drones
Bridges	Farms	Nuclear Power	Residential	Virtual Fences
Commercial	Fences	Oil facilities	Seaports	Water Treatment
Construction	Fish Farms	Parking Structures	Service Centers	Windmills
Dams	Government	Pipelines	Solar Farms	
Data Centers	High Security	Power Plants	Stations	

FOR MORE INFORMATION, CONTACT:
sales@spotterrf.com
801-742-5849
spotterrf.com

